

**CONVENTION ON THE PROHIBITION OF THE USE, STOCKPILING, PRODUCTION AND TRANSFER OF
ANTI-PERSONNEL MINES AND ON THEIR DESTRUCTION**

Reporting Formats for Article 7

STATE [PARTY]:

REPUBLIC OF YEMEN

POINT OF CONTACT:

NATIONAL MINE ACTION COMMITTEE (Yemen Mine Action Center)
(tel.00 967 1 532115/ fax, 532129) (Email: MANSAZI@y.net.ye)

National implementation measures Form A

"Each State Party shall report to the Secretary-General ... on: Article 7.1

a) The national implementation measures referred to in Article 9."

Remark: In accordance with Article 9, "Each State Party shall take all appropriate legal, administrative and other measures, including the imposition of penal sanctions, to prevent and suppress any activity prohibited to a State Party under this Convention undertaken by persons or on territory under its jurisdiction or control".

State [Party]: REPUBLIC OF YEMEN reporting for time period from 31March 2011 to 31March 2012

| | |
|-------------------------------------------------------------------------------------------------------------------------------------------------------------------------------------------------------------------|---------------------------------------------------------------------------------------------------------------|
| <p>Measures: The Parliament of Yemen issued, and the President signed law on 8\98 in June 1998. The law states that the Government of Yemen will enforce the ban from the day the law was issued.</p> | <p>Supplementary information (e.g., effective date of implementation & text of legislation attached).</p> |
| <p>Legislation have been approved by the parliament</p> | <p>Hard copy of Legislation with the full report been sent.</p> |

Stockpiled anti-personnel mines Form B

"Each State Party shall report to the Secretary-General ... on: Article 7. 1

b) The total of all stockpiled anti-personnel mines owned or possessed by it, or under its jurisdiction or control, to include a breakdown of the type, quantity and, if possible, lot numbers of each type of anti-personnel mine stockpiled."

State [Party]: REPUBLIC OF YEMEN reporting for time period from 31 March 2011 to 31 March 2012

1. Total of stockpiled anti-personnel mines

| Type | Quantity | Lot # (if possible) | Supplementary information |
|--------------|---------------|---------------------|---------------------------------------------------------------------------------------------------------------------------------------------------------|
| PPMISR-2 | 16,000 | / | The total from all Reports |
| POMZ-2 | 58500+30000 | / | 30,000 POM without explosives charge Was find in one of the oldest Military warehouse in Aden during shifting this place to a touristic site in Nov. 06 |
| PMN | 2000 | | |
| PMD6 | 1500 | | |
| TOTAL | 108000 | | |

2. Previously unknown stockpiles of anti-personnel mines discovered after the deadlines have passed. (*Action #15 of Nairobi Action Plan*)^{1*}

| Type | Quantity | Lot # (if possible) | Supplementary information |
|------|----------|---------------------|---------------------------|
| | | | |
| | | | |

* Pursuant to the decision of the 8MSP, as contained in paragraph 29 of the Final Report of the Meeting, document APLC/MSP.8/2007/6.

| | |
|--------------|--|
| TOTAL | |
|--------------|--|

Location of mined areas Form C

"Each State Party shall report to the Secretary-General ... on: Article 7.1

c) To the extent possible, the location of all mined areas that contain, or are suspected to contain, anti-personnel mines under its jurisdiction or control, to include as much detail as possible regarding the type and quantity of each type of anti-personnel mine in each mined area and when they were emplaced."

State [Party]: REPUBLIC OF YEMEN reporting for time period from 31 March 2011 to 3 March 2012

1. Areas that contain mines*

| Location | Type | Quantity | Date of emplacement | Supplementary information |
|--------------------------------|--------------|----------|-------------------------|------------------------------------|
| 20 Governorates from 21 | Mixed | | 62-67-79-83-1994 | Mixed (look to the Statute) |
| | | | | |

2. Areas suspected to contain mines*

| Location | Type | Quantity | Date of emplacement | Supplementary information |
|----------|---------|-----------|---------------------|---------------------------|
| Nil | AP & AT | Unknown-n | | |
| | | | | |

* If necessary, a separate table for each mined area may be provided

| Province | IDistrict | City. | Priority | EstimatedArea | Status |
|--------------|---------------|--------------------------------|----------|-------------------|-----------|
| Aden | Al Buraïqa | Al Heswa | High | 160000 | Completed |
| Al Baidha | Al Zaher | Lajradi and Al Mihsin villages | High | 267500 | Completed |
| Al Baidha | Mukairas | Al Madmanah And Al Qhazari | High | 80000 | Completed |
| Al Dhale' | Al Dhale' | Al Masharih | High | 6000000 | Completed |
| Al Dhale' | Qa'tabah | Al Ribî | High | 270000 | Completed |
| Al Dhale' | Qa'tabah | Bait Al Shooki | High | 5324000 | Completed |
| Al Dhale' | Qa'tabah | Owish | High | 961358.5 | Completed |
| Hajja | Al Shaghadera | Maghraba benin | High | 14000 | Completed |
| Ibb | Al Nadera | Marsh | High | 14709600 | Completed |
| Sana'a | Bani Hushaish | Al Jafinah | High | 3500 | Completed |
| Total | | | | 27789958.5 | |
| Al Dhale' | Damt | Al Okrah | High | 1080000 | Canceled |
| Total | | | | 1080000 | |
| Abyan | Khanfar | Owaydayn | High | 12000000 | Suspended |
| Al Dhale' | Al Dhale' | Qaradh | High | 250000 | Suspended |
| Al Dhale' | Juban | Jaboob Khoolah | High | 2130000 | Suspended |
| Total | | | | 14380000 | |
| Abyan | Khanfar | Al 'Okd | Medium | 12000000 | Completed |
| Abyan | Lowdar | Yasoof | Medium | 400000 | Completed |
| Abyan | Lowdar | Ammkhrbeh | Medium | 9500 | Completed |
| Aden | Al Buraïqa | Amran | Medium | 100000 | Completed |
| Aden | Al Buraïqa | Beer Ahmed | Medium | 21000000 | Completed |
| Aden | Al Buraïqa | Beer Aishah | Medium | 18000000 | Completed |
| Al Baidha | Rada' | Khoubzah | Medium | 365000 | Completed |
| Al Dhale' | Al Dhale' | Al Qaflah | Medium | 5400 | Completed |
| Al Dhale' | Al Dhale' | Habeel Al Karief | Medium | 14000 | Completed |
| Al Dhale' | Al Hussain | Al Uqlah | Medium | 210000 | Completed |
| Al Dhale' | Damt | Al Marash | Medium | 70000 | Completed |
| Al Dhale' | Juban | Hoora | Medium | 270000 | Completed |
| Al Dhale' | Qa'tabah | Al Job | Medium | 2440000 | Completed |

| | | | | | |
|-----------|----------------|---------------------------|--------|----------|-----------|
| Al Dhale' | Qa'tabah | Al Qafleh | Medium | 640000 | Completed |
| Al Dhale' | Qa'tabah | Al Qu'rah | Medium | 16400 | Completed |
| Al Dhale' | Qa'tabah | Alkhrazuh | Medium | 48000 | Completed |
| Al Dhale' | Qa'tabah | Bait Al Sharji | Medium | 200000 | Completed |
| Al Dhale' | Qa'tabah | Habil Al Abdi | Medium | 135000 | Completed |
| Al Dhale' | Qa'tabah | Markhazah | Medium | 2500000 | Completed |
| Al Dhale' | Qa'tabah | Sho'our | Medium | 810000 | Completed |
| Al Dhale' | Al Dhale' | Qaroodh | Medium | 637000 | Completed |
| Al Dhale' | Al Sho'aib | Al Qahrah | Medium | 120000 | Completed |
| Dhamar | Wesab Al A'ali | Al Sharaf | Medium | 54000 | Completed |
| Dhamar | Wesab Al A'ali | Al Sooq Al A'aly | Medium | 45000 | Completed |
| Dhamar | Wesab Al A'ali | Hajar Aswad | Medium | 37500 | Completed |
| Dhamar | Wesab Al A'ali | Makhdoora | Medium | 40500 | Completed |
| Dhamar | Wesab Al A'ali | Mazlb | Medium | 800000 | Completed |
| Hadramout | Al Aber | Tajjamo'a' Aal-Mesfer | Medium | 21000000 | Completed |
| Hadramout | Al Aber | Tajjamo'a' Khashm Al-A'in | Medium | 2000000 | Completed |
| Hadramout | Rakhyah | Safiq | Medium | 72160000 | Completed |
| Ibb | Al Nadera | Al Hajrah | Medium | 1500600 | Completed |
| Ibb | Al Nadera | Al Khubrah | Medium | 113300 | Completed |
| Ibb | Al Nadera | Bait Al Ra'ae | Medium | 8500 | Completed |
| Ibb | Al Nadera | Bait Mashrah | Medium | 5000000 | Completed |
| Ibb | Al Nadera | Dadah | Medium | 8000000 | Completed |
| Ibb | Al Nadera | Shereh | Medium | 105000 | Completed |
| Ibb | Al Nadera | Shi'ab Al Muraysi | Medium | 2100000 | Completed |
| Ibb | Al Nadera | Zalim | Medium | 570000 | Completed |
| Ibb | Al Odain | Hamdan | Medium | 85000 | Completed |
| Ibb | Al Radhma | Al Towera | Medium | 4000 | Completed |
| Ibb | Al Radhma | Madkam | Medium | 21000 | Completed |
| Lahij | Al Melah | Al Namarat | Medium | 465000 | Completed |
| Lahij | Al Musaimeer | Jaol Madram | Medium | 2080000 | Completed |
| Lahij | Al Qabbaita | Al Dhahi | Medium | 51850 | Completed |
| Lahij | Al Qabbaita | Al Hawimi | Medium | 300000 | Completed |

| | | | | | |
|--------------|------------------|--------------------------|--------|--------------------|-----------|
| Lahij | Toor Al Baha | Al Fajrah | Medium | 250000 | Completed |
| Lahij | Tuban | Al Anad | Medium | 45500 | Completed |
| Lahij | Tuban | Al Jarba | Medium | 400000 | Completed |
| Lahij | Tuban | Al Safya | Medium | 400000 | Completed |
| Lahij | Tuban | Al Ziadi | Medium | 1800006.28 | Completed |
| Lahij | Tuban | Beer Naser | Medium | 1430000 | Completed |
| Lahij | Tuban | Al Manaserah | Medium | 30000000 | Completed |
| Lahij | Tuban | Koad AL De'ais | Medium | 4500000 | Completed |
| Sa'ada | Al Safraa' | Al Razamat | Medium | 23800 | Completed |
| Sa'ada | Al Safraa' | Al Sahwa | Medium | 6800 | Completed |
| Sana'a | Arhab | A'wmarah | Medium | 56800 | Completed |
| Sana'a | Arhab | Bait Swaa' | Medium | 17400 | Completed |
| Sana'a | Arhab | Sha'b | Medium | 2000 | Completed |
| Sana'a | Bani Bahlool | Bait 'Oqb | Medium | 1102500 | Completed |
| Sana'a | Bani Bahlool | Joab | Medium | 253300 | Completed |
| Sana'a | Bani Hushaish | Bait Al Sayed | Medium | 7250 | Completed |
| Shabwah | Nesab | Al Karmoom | Medium | 100000 | Completed |
| Taiz | Shar'ab Al Salam | Al Dhehrah | Medium | 16000 | Completed |
| Total | | | | 216,942,906 | |
| Abyan | Khanfar | Al Khamelah | Medium | 150000 | Canceled |
| Abyan | Khanfar | Al Maseh | Medium | 6600000 | Canceled |
| Abyan | Khanfar | Qarn Al Zoghayba | Medium | 9000000 | Canceled |
| Al Baidha | Rada' | Haiwah | Medium | 392500 | Canceled |
| Al Baidha | Rada' | Saeed | Medium | 680000 | Canceled |
| Al Dhale' | Al Sho'aib | Aqziz | Medium | 50000 | Canceled |
| Dhamar | Otmah | Hisn Al Jabal (Al 'Amaq) | Medium | 4800 | Canceled |
| Lahij | Tuban | Al Feyoosh | Medium | 80000 | Canceled |
| Lahij | Tuban | Al Nobah | Medium | 1000000 | Canceled |
| Sa'ada | Al Safraa' | Al Lojajj | Medium | 1000 | Canceled |
| Sa'ada | Sehar | Aal Ali | Medium | 1100 | Canceled |
| Sana'a | Bani Hushaish | Bani Yazeed | Medium | 3000 | Canceled |

| | | | | | |
|-----------|------------------|--------------------|--------|-------------------|-----------|
| Taiz | Maqbanah | Al Aqaidah | Medium | 197500 | Canceled |
| Taiz | Shar'ab Al Rawna | Al Mahmoor | Medium | 28 | Canceled |
| Taiz | Shar'ab Al Rawna | Al Sofah | Medium | 140000 | Canceled |
| Total | | | | 18,299,928 | |
| Abyan | Khanfar | Abadi | Medium | 500000 | Ongoing |
| Hadramout | Al Aber | Al Wahd | Medium | 36000000 | Ongoing |
| Ibb | Al Nadera | Jeranah | Medium | 152200 | Ongoing |
| Total | | | | 36,652,200 | |
| Hadramout | Broom | Jol Al Hana | Medium | 33000000 | Suspended |
| Total | | | | 33,000,000 | |
| Al Dhale' | Qa'tabah | Ribat Al Sallami | Medium | 120000 | Left |
| Al Jawf | Al Zaher | Al Aqdah Al Shanan | Medium | 270000 | Left |
| Ibb | Al Nadera | Hiazah | Medium | 2500000 | Left |
| Lahij | Tuban | Al Jardof | Medium | 4000000 | Left |
| Total | | | | 6,890,000 | |
| Abyan | Khanfar | Habeel Al Braq | Low | 300000 | Completed |
| Abyan | Khanfar | Ofeani | Low | 1200 | Completed |
| Abyan | Lowdar | Imsara | Low | 32000 | Completed |
| Aden | Al Buraïqa | Abo Harbah | Low | 1000000 | Completed |
| Aden | Al Buraïqa | Al Farsi | Low | 2000000 | Completed |
| Aden | Al Buraïqa | Al Makhnaq | Low | 40000 | Completed |
| Aden | Al Buraïqa | Beer Al Na'amamah | Low | 840000 | Completed |
| Aden | Al Buraïqa | Beer Diraimiah | Low | 1500000 | Completed |
| Aden | Al Buraïqa | Foqom | Low | 2100000 | Completed |
| Aden | Al Buraïqa | Salah Addeen | Low | 400000 | Completed |
| Aden | Al Mansoorah | Beer Fadhl | Low | 420000 | Completed |
| Aden | Dar Sa'ad | Ja'olah | Low | 1210000 | Completed |
| Aden | Khour Maksar | Al Alam | Low | 3000000 | Completed |

| | | | | | |
|-----------|---------------|-------------------------------------|-----|---------|-----------|
| Aden | Sheikh Othman | Al Mas'abain | Low | 2410000 | Completed |
| Al Baidha | Al Sawma'ah | Qoraida | Low | 2500 | Completed |
| Al Baidha | Al Zaher | Al Ghailamah (Al Mahattah & Je'mah) | Low | 1400 | Completed |
| Al Baidha | Mukairas | Al Qaa'a | Low | 80000 | Completed |
| Al Baidha | Mukairas | Assalloul | Low | 105000 | Completed |
| Al Baidha | Mukairas | Imbowaib | Low | 430000 | Completed |
| Al Baidha | Mukairas | Moukairas | Low | 100000 | Completed |
| Al Baidha | Mukairas | O'our | Low | 403750 | Completed |
| Al Baidha | Rada' | Al Baidah | Low | 70000 | Completed |
| Al Baidha | Rada' | Al Soudan | Low | 300000 | Completed |
| Al Baidha | Rada' | Hamak | Low | 20000 | Completed |
| Al Baidha | Rada' | Hawat | Low | 113000 | Completed |
| Al Baidha | Rada' | Mawer | Low | 97300 | Completed |
| Al Baidha | Rada' | Qarn Qasid | Low | 102500 | Completed |
| Al Baidha | Rada' | Shihab | Low | 200000 | Completed |
| Al Baidha | Al Baidha | Dhiwain | Low | 410000 | Completed |
| Al Baidha | Rada' | A'abey | Low | 450000 | Completed |
| Al Dhale' | Al Dhale' | Al A'baara | Low | 152500 | Completed |
| Al Dhale' | Al Dhale' | Al Qalee'ah | Low | 3310000 | Completed |
| Al Dhale' | Al Dhale' | Sanah | Low | 120000 | Completed |
| Al Dhale' | Al Hashaa' | Habeel Yahya | Low | 1500 | Completed |
| Al Dhale' | Al Hashaa' | Qashat Al Bor | Low | 20000 | Completed |
| Al Dhale' | Al Hussain | Al Mahdatha | Low | 39400 | Completed |
| Al Dhale' | Al Sho'aib | Al Madhow | Low | 110000 | Completed |
| Al Dhale' | Damt | Al Ahrom | Low | 100000 | Completed |
| Al Dhale' | Damt | Al Hazaz | Low | 640000 | Completed |
| Al Dhale' | Damt | Al Musnadah | Low | 40000 | Completed |
| Al Dhale' | Damt | Al Sharkani | Low | 882000 | Completed |
| Al Dhale' | Damt | Gharba | Low | 540000 | Completed |
| Al Dhale' | Damt | Kahlan | Low | 65000 | Completed |
| Al Dhale' | Juban | Al Awabel | Low | 57000 | Completed |

| | | | | | |
|------------|---------------|-------------------------------|-----|----------|-----------|
| Al Dhale' | Juban | Juban | Low | 400000 | Completed |
| Al Dhale' | Juban | Misika | Low | 450000 | Completed |
| Al Dhale' | Juban | N'awa | Low | 900000 | Completed |
| Al Dhale' | Juban | Yaher | Low | 352500 | Completed |
| Al Dhale' | Qa'tabah | Al Hatab | Low | 5000 | Completed |
| Al Dhale' | Qa'tabah | Al Jahada' | Low | 1674000 | Completed |
| Al Dhale' | Qa'tabah | Al Orir | Low | 232500 | Completed |
| Al Dhale' | Qa'tabah | Al Qodom | Low | 750000 | Completed |
| Al Dhale' | Qa'tabah | Azab | Low | 80000 | Completed |
| Al Dhale' | Qa'tabah | Batar | Low | 130000 | Completed |
| Al Dhale' | Qa'tabah | Dar Al Sokmah | Low | 432500 | Completed |
| Al Dhale' | Qa'tabah | Jabal Al Shami | Low | 1620000 | Completed |
| Al Dhale' | Qa'tabah | Kordoh | Low | 58250 | Completed |
| Al Dhale' | Qa'tabah | Qurain Al Fahd | Low | 87500 | Completed |
| Al Dhale' | Qa'tabah | Shakhab | Low | 5130000 | Completed |
| Al Dhale' | Qa'tabah | Rayshan | Low | 520000 | Completed |
| Al Dhale' | Al Sho'aib | Lanjood and Al Soma'a | Low | 10000 | Completed |
| Al Dhale' | Juban | Al Abo Ali | Low | 25000 | Completed |
| Al Dhale' | Qa'tabah | Al A'shwah | Low | 77500 | Completed |
| Al Dhale' | Qa'tabah | Al Khatam | Low | 30000 | Completed |
| Al Dhale' | Qa'tabah | Otabat | Low | 60000 | Completed |
| Al Hodaida | Jabal Al Ras | Al Mabraz | Low | 1000 | Completed |
| Al Mahra | Houf | Serfait | Low | 37600 | Completed |
| Al Mahra | Houf | Sheno | Low | 31040 | Completed |
| Amran | Thula | Al Mashehad zone | Low | 12500 | Completed |
| Amran | Thula | Thula | Low | 120024 | Completed |
| Hadramout | Al Aber | Azdahat Al-Maflaqah | Low | 28000000 | Completed |
| Hadramout | Al Aber | Tajjamo'a' Aal-Breeki | Low | 6000000 | Completed |
| Hadramout | Broom | Al Sufal | Low | 15880000 | Completed |
| Hadramout | Hajr Al Se'ar | Aal Mukawwam | Low | 850000 | Completed |
| Hadramout | Hajr Al Se'ar | Al Far'ah (Hessn Aal Hetaish) | Low | 240 | Completed |
| Hadramout | Hajr Al Se'ar | Ghutumat Aal Qaid | Low | 1000000 | Completed |

| | | | | | |
|-----------|------------------|-----------------------|-----|----------|-----------|
| Hadramout | Hajr Al Se'ar | Hisn Aal Faraj | Low | 4000000 | Completed |
| Hadramout | Hajr Al Se'ar | Hisn Aal Qulais | Low | 600000 | Completed |
| Hadramout | Hajr Al Se'ar | Ibeda | Low | 1500000 | Completed |
| Hadramout | Quf Al Awamer | Qwai' Aal Abdat | Low | 27400 | Completed |
| Hadramout | Rakhyah | Hisn A'mer | Low | 81000000 | Completed |
| Hadramout | Ramah | Romah | Low | 2410500 | Completed |
| Hadramout | Zamkh Wa Manoukh | Odaifah | Low | 10750000 | Completed |
| Hadramout | Zamkh Wa Manoukh | Rukban | Low | 1000000 | Completed |
| Hadramout | Zamkh Wa Manoukh | Tajammu Al Naher | Low | 1500000 | Completed |
| Hadramout | Zamkh Wa Manoukh | Tajjamo'a' Bardah | Low | 3200000 | Completed |
| Hadramout | Zamkh Wa Manoukh | Tajjamo'a' Bin Habras | Low | 1500000 | Completed |
| Hajja | Al Shaghadera | Al Hazah | Low | 5000 | Completed |
| Hajja | Haradh | Maloos | Low | 11200 | Completed |
| Hajja | Haradh | Um Aledham | Low | 1200 | Completed |
| Hajja | Mabyan | Dhahr Bani Okab | Low | 1000 | Completed |
| Ibb | Al Nadera | Al Irr | Low | 38900 | Completed |
| Ibb | Al Nadera | Al Khalal | Low | 120000 | Completed |
| Ibb | Al Nadera | Al Naubah | Low | 150000 | Completed |
| Ibb | Al Nadera | Al Nisab & Al Gadowah | Low | 210000 | Completed |
| Ibb | Al Nadera | Al She'bah village | Low | 76000 | Completed |
| Ibb | Al Nadera | Al Soobah | Low | 17600 | Completed |
| Ibb | Al Nadera | Al Wajer | Low | 48000 | Completed |
| Ibb | Al Nadera | Bait Al Azani | Low | 30000 | Completed |
| Ibb | Al Nadera | Bait Al Ghazir | Low | 20000 | Completed |
| Ibb | Al Nadera | Bait Al Haroush | Low | 36000 | Completed |
| Ibb | Al Nadera | Bait Al Sarim | Low | 580000 | Completed |
| Ibb | Al Nadera | Dhaws | Low | 1010000 | Completed |
| Ibb | Al Nadera | Dhi Jihdam | Low | 12000 | Completed |
| Ibb | Al Nadera | Dhowdan | Low | 74000 | Completed |
| Ibb | Al Nadera | Dowir Huban | Low | 20000 | Completed |
| Ibb | Al Nadera | Fajrat Sawma' | Low | 10000 | Completed |
| Ibb | Al Nadera | Kawlat Assaid | Low | 2000 | Completed |

| | | | | | |
|-------|--------------|--------------------|-----|---------|-----------|
| Ibb | Al Nadera | Kuhal | Low | 200000 | Completed |
| Ibb | Al Nadera | Laian | Low | 9010000 | Completed |
| Ibb | Al Nadera | Nashaman | Low | 20000 | Completed |
| Ibb | Al Nadera | Qatin | Low | 2000 | Completed |
| Ibb | Al Nadera | Sana' | Low | 1050000 | Completed |
| Ibb | Al Nadera | Zil Ghorabain | Low | 240000 | Completed |
| Ibb | Al Odain | Al A'dan | Low | 7500 | Completed |
| Ibb | Al Radhma | Bait Al Haidari | Low | 20000 | Completed |
| Ibb | Al Radhma | Kawlat Bahaj | Low | 79000 | Completed |
| Ibb | Al Radhma | Ribat Bait Al Ward | Low | 572000 | Completed |
| Ibb | Al Saddah | Al Masna'h | Low | 15000 | Completed |
| Ibb | Al Saddah | Iba'ar | Low | 24000 | Completed |
| Ibb | Yareem | Sanab | Low | 2025 | Completed |
| Ibb | Al Sebrah | Al Aukaimah | Low | 100000 | Completed |
| Ibb | Al She'ar | Dar Jamil | Low | 1050000 | Completed |
| Ibb | Al Odain | Al Rumaid | Low | 450000 | Completed |
| Ibb | Al Radhma | Bait Al Badri | Low | 25000 | Completed |
| Ibb | Al Radhma | Bait Al Waqidi | Low | 2500000 | Completed |
| Ibb | Al She'ar | Al Khiraf | Low | 1900 | Completed |
| Ibb | Al Nadera | Al Khasha'a | Low | 237500 | Completed |
| Ibb | Al Nadera | Al Manzil | Low | 3000000 | Completed |
| Ibb | Al Nadera | Al Wihaiash | Low | 450000 | Completed |
| Ibb | Al Nadera | Al Zalel | Low | 200500 | Completed |
| Ibb | Al Nadera | Bait Al Wa'eel | Low | 1250000 | Completed |
| Ibb | Al Nadera | Sha'ab | Low | 37400 | Completed |
| Ibb | Al Odain | Al Thud | Low | 20000 | Completed |
| Ibb | Al Saddah | Al Za'la | Low | 375000 | Completed |
| Lahij | Al Madhareba | Al Sadaf Kharaz | Low | 60000 | Completed |
| Lahij | Al Melah | Al Lojain | Low | 60000 | Completed |
| Lahij | Al Qabbaita | Zeegh Al Sofla | Low | 34000 | Completed |
| Lahij | Toor Al Baha | Al Noeam | Low | 200000 | Completed |
| Lahij | Tuban | Al Khadad | Low | 6480000 | Completed |

| | | | | | |
|---------|------------------|---------------------------|-----|---------|-----------|
| Lahij | Tuban | Al Mahat | Low | 2000000 | Completed |
| Lahij | Tuban | Al Shaq'aa | Low | 4500000 | Completed |
| Lahij | Tuban | Beer Nasser(A-Shaq'a'h) | Low | 392000 | Completed |
| Lahij | Tuban | Beer Saleh | Low | 64000 | Completed |
| Lahij | Tuban | Harran Daiian | Low | 9600000 | Completed |
| Lahij | Tuban | Jalajel | Low | 300000 | Completed |
| Lahij | Tuban | Maghras Naji (Al Maghras) | Low | 2880000 | Completed |
| Lahij | Tuban | Sabber | Low | 3004800 | Completed |
| Lahij | Al Melah | Al Melah | Low | 2100000 | Completed |
| Lahij | Al Musaimeer | Aqqan | Low | 52500 | Completed |
| Lahij | Al Melah | Al Hamra | Low | 404000 | Completed |
| Lahij | Al Melah | Dar Al Dawlah | Low | 60000 | Completed |
| Lahij | Toor Al Baha | Al Reja'a | Low | 2848000 | Completed |
| Lahij | Tuban | Al Serdah | Low | 3000000 | Completed |
| Sana'a | Al Salfyah | Al Aramiah | Low | 80000 | Completed |
| Sana'a | Bani Bahlool | Ghayman | Low | 37500 | Completed |
| Sana'a | Bani Bahlool | Qarinat & Sakhaleet | Low | 37500 | Completed |
| Sana'a | Bani Hushaish | Al Fers and Hazat Rijam | Low | 6100 | Completed |
| Sana'a | Sanhan | Bait Al Shatiby | Low | 2500 | Completed |
| Sana'a | Sanhan | Sha'san | Low | 450000 | Completed |
| Shabwah | Ataq | Al Dhahair | Low | 750000 | Completed |
| Taiz | Al Makha | Al Fatrah | Low | 1250 | Completed |
| Taiz | Al Waze'yah | Al Ghail | Low | 15000 | Completed |
| Taiz | Al Waze'yah | Al O'qaidah Al O'lia | Low | 10000 | Completed |
| Taiz | Al Waze'yah | Al O'qaidah Al Sofla | Low | 45000 | Completed |
| Taiz | Al Waze'yah | Al Qara'a | Low | 20000 | Completed |
| Taiz | Maqbanah | Al Barraishah | Low | 72300 | Completed |
| Taiz | Mawiah | Al Nabwa | Low | 1000 | Completed |
| Taiz | Shar'ab Al Rawna | Adan Barakah | Low | 10000 | Completed |
| Taiz | Shar'ab Al Rawna | Al Alawi | Low | 23000 | Completed |
| Taiz | Shar'ab Al Rawna | Al Baghdadadi | Low | 4000 | Completed |
| Taiz | Shar'ab Al Rawna | Al Dakhool | Low | 6000 | Completed |

| | | | | | |
|--------------|------------------|----------------------|-----|--------------------|-----------|
| Taiz | Shar'ab Al Rawna | Al Hadhan | Low | 100000 | Completed |
| Taiz | Shar'ab Al Rawna | Al Hidiyah | Low | 550 | Completed |
| Taiz | Shar'ab Al Rawna | Al Ikdah | Low | 7500 | Completed |
| Taiz | Shar'ab Al Rawna | Al Madhah | Low | 7500 | Completed |
| Taiz | Shar'ab Al Rawna | Al Mahal | Low | 10000 | Completed |
| Taiz | Shar'ab Al Rawna | Al Misiabah | Low | 800 | Completed |
| Taiz | Shar'ab Al Rawna | Al Mored | Low | 4000 | Completed |
| Taiz | Shar'ab Al Rawna | Al Qela' | Low | 40400 | Completed |
| Taiz | Shar'ab Al Rawna | Harf Al Sha'b | Low | 5000 | Completed |
| Taiz | Shar'ab Al Rawna | Raheed | Low | 24000 | Completed |
| Taiz | Shar'ab Al Rawna | Wadi Al Qohaim | Low | 400 | Completed |
| Taiz | Shar'ab Al Salam | Bani Obaid | Low | 100 | Completed |
| Taiz | Shar'ab Al Salam | Hobel | Low | 10800 | Completed |
| Taiz | Shar'ab Al Salam | Shoqahah | Low | 100 | Completed |
| Taiz | Al Waze'yah | Al Hoqaibah | Low | 10000 | Completed |
| Taiz | Al Waze'yah | Al Zowaim | Low | 1500 | Completed |
| Taiz | Shar'ab Al Rawna | Al Sedrah | Low | 34600 | Completed |
| Total | | | | 259,940,529 | |
| Abyan | Khanfar | Al Haroor | Low | 32000 | canceled |
| Abyan | Khanfar | Al Mahnabah | Low | 6000000 | canceled |
| Abyan | Khanfar | Al Waqa'ah | Low | 900000 | canceled |
| Abyan | Khanfar | Jeljalah | Low | 25000 | canceled |
| Abyan | Khanfar | Mabtooh | Low | 9000000 | canceled |
| Aden | Al Buraiqah | Al Dawabiah | Low | 2000000 | canceled |
| Aden | Al Buraiqah | Al Wahda Assakaniyah | Low | 4000000 | canceled |
| Aden | Al Buraiqah | Jiser Al Khaledeen | Low | 1050000 | canceled |
| Aden | Al Buraiqah | Kod Qaraw | Low | 300000 | canceled |
| Aden | Dar Sa'ad | Al Fallaheen | Low | 400000 | canceled |
| Al Baidha | Al Baidha | Mamdoud | Low | 7500 | canceled |
| Al Baidha | Al Taffa | Dhihar | Low | 10000 | canceled |
| Al Baidha | Dhi Na'em | Al Khuf | Low | 35000 | canceled |

| | | | | | |
|-----------|------------|---------------------------------|-----|---------|--------|
| Al Baidha | Mukairas | A'aryab | Low | 200000 | cancel |
| Al Baidha | Mukairas | Madahes | Low | 160000 | cancel |
| Al Baidha | Mukairas | Martta'ah | Low | 500000 | cancel |
| Al Baidha | Mukairas | Nabtta | Low | 106000 | cancel |
| Al Baidha | Mukairas | Shourjan | Low | 150000 | cancel |
| Al Baidha | Mukairas | Wadi Baha | Low | 150000 | cancel |
| Al Baidha | Rada' | Al Aabil | Low | 45000 | cancel |
| Al Baidha | Rada' | Al A'qabah Al Hamra' | Low | 30000 | cancel |
| Al Baidha | Rada' | Al Dhaleel | Low | 400000 | cancel |
| Al Baidha | Rada' | Al Harajah Al Oulya & Al Soufla | Low | 235000 | cancel |
| Al Baidha | Rada' | Al Khalaqah & Al Hamam | Low | 160000 | cancel |
| Al Baidha | Rada' | Al Madhaf | Low | 120000 | cancel |
| Al Baidha | Rada' | Al Mansourah And Al Sallib | Low | 500000 | cancel |
| Al Baidha | Rada' | Al Mikhtabia | Low | 2045000 | cancel |
| Al Baidha | Rada' | Al Qaliatah | Low | 850000 | cancel |
| Al Baidha | Rada' | Al Sharafah | Low | 90000 | cancel |
| Al Baidha | Rada' | Al Siwar Hababah | Low | 205000 | cancel |
| Al Baidha | Rada' | Azzabadah | Low | 130000 | cancel |
| Al Baidha | Rada' | Ja'es and Al Noubah | Low | 100000 | cancel |
| Al Baidha | Rada' | Jobair | Low | 500000 | cancel |
| Al Baidha | Rada' | Khirbat Jaradah | Low | 300000 | cancel |
| Al Baidha | Rada' | Mahabah | Low | 56000 | cancel |
| Al Baidha | Rada' | Maswarah | Low | 170000 | cancel |
| Al Baidha | Rada' | Najd Aal Yahia | Low | 145000 | cancel |
| Al Baidha | Rada' | Qarn Al Asad | Low | 300000 | cancel |
| Al Baidha | Rada' | Qouradhah | Low | 240000 | cancel |
| Al Baidha | Rada' | Saylet Al Jarah (Al Manasih) | Low | 1260000 | cancel |
| Al Baidha | Rada' | Sirrar Al Ishash | Low | 1075000 | cancel |
| Al Baidha | Rada' | Za'am | Low | 20000 | cancel |
| Al Baidha | Rada' | Zakham | Low | 450000 | cancel |
| Al Dhale' | Al Dhale' | Al Hathah | Low | 240000 | cancel |
| Al Dhale' | Al Hussain | Al Attria | Low | 7500 | cancel |

| | | | | | |
|-----------|----------------|----------------------|-----|----------|--------|
| Al Dhale' | Al Hussain | A'mak | Low | 560000 | cancel |
| Al Dhale' | Al Hussain | Habeel Al Jaleb | Low | 280000 | cancel |
| Al Dhale' | Damt | Al Mawdhe' | Low | 45000 | cancel |
| Al Dhale' | Damt | Al Minzel | Low | 700000 | cancel |
| Al Dhale' | Juban | Al Aoumarrah | Low | 680000 | cancel |
| Al Dhale' | Juban | Shuba'ah | Low | 200000 | cancel |
| Al Dhale' | Juban | Wadi Homaisan | Low | 2400 | cancel |
| Al Dhale' | Qa'tabah | Al Qarn | Low | 398000 | cancel |
| Al Dhale' | Qa'tabah | Homan | Low | 310000 | cancel |
| Al Dhale' | Qa'tabah | Komer Al Sadah | Low | 2240000 | cancel |
| Al Dhale' | Qa'tabah | Qarn Alqahm | Low | 15000 | cancel |
| Al Dhale' | Qa'tabah | Shalil | Low | 12015000 | cancel |
| Al Dhale' | Damt | Al Ma'zabah | Low | 460000 | cancel |
| Amran | Raidah | Raydah | Low | 30000 | cancel |
| Dhamar | Otmah | Al Manjadah (Helfan) | Low | 75000 | cancel |
| Dhamar | Otmah | Al Matrah Al A'ali | Low | 80000 | cancel |
| Dhamar | Otmah | Hisn Bani Sowaid | Low | 45000 | cancel |
| Dhamar | Otmah | Jabal Sakran | Low | 21250 | cancel |
| Dhamar | Otmah | Zera' Kabirah | Low | 45000 | cancel |
| Dhamar | Wesab Al A'ali | Al Markiz | Low | 57500 | cancel |
| Dhamar | Wesab Al A'ali | Al Zahir | Low | 55000 | cancel |
| Dhamar | Wesab Al A'ali | Bani Maseegh | Low | 3500 | cancel |
| Dhamar | Wesab Al A'ali | Dar Isaba | Low | 33500 | cancel |
| Dhamar | Wesab Al A'ali | Qawz Hajar | Low | 4000 | cancel |
| Hadramout | Al Aber | Al Aber | Low | 17000 | cancel |
| Hadramout | Broom | Qaryat Hibath | Low | 6000000 | cancel |
| Hadramout | Broom | Radfan | Low | 1800000 | cancel |
| Hadramout | Rakhyah | Hashawah | Low | 54000000 | cancel |
| Hajja | Al Meftah | Al Meftah | Low | 15000 | cancel |
| Hajja | Al Meftah | Al Wa'lia | Low | 52600 | cancel |
| Hajja | Aslam | Zari Al Kadhebah | Low | 2500 | cancel |
| Hajja | Haradh | Al Sooq Ta'shar | Low | 1800 | cancel |

| | | | | | |
|--------|------------------------|---------------------------|-----|---------|----------|
| Hajja | Mabyan | Bani Haritha | Low | 200 | canceled |
| Hajja | Najra | Al 'Ola | Low | 100 | canceled |
| Ibb | Al Makhader | Al Salulah | Low | 85000 | canceled |
| Ibb | Al Nadera | Al Mudawarh | Low | 1400000 | canceled |
| Ibb | Al Nadera | Al Saknah | Low | 275000 | canceled |
| Ibb | Al Nadera | Bait Al Riashi | Low | 300000 | canceled |
| Ibb | Al Nadera | Bait Al Zabedi | Low | 2600000 | canceled |
| Ibb | Al Nadera | Dhi Qudan | Low | 30000 | canceled |
| Ibb | Al Nadera | Khirbah Al subari | Low | 406000 | canceled |
| Ibb | Al Radhma | Bait Al Ward | Low | 250000 | canceled |
| Ibb | Al Radhma | Bait Mahmoud | Low | 30500 | canceled |
| Ibb | Ba'dan | Al Adhareb | Low | 226000 | canceled |
| Ibb | Ba'dan | Al Namas | Low | 40000 | canceled |
| Ibb | Ba'dan | Al Sarah | Low | 10000 | canceled |
| Ibb | Ba'dan | Yabar | Low | 16900 | canceled |
| Ibb | Yareem | Maja'a | Low | 440000 | canceled |
| Ibb | Al Radhma | Dhi Al Habeeb | Low | 20000 | canceled |
| Lahij | Al Madhareba | Kahboob | Low | 300000 | canceled |
| Lahij | Al Melah | Al Shaqa | Low | 12 | canceled |
| Lahij | Al Qabbaita | Al Dokam | Low | 6000 | canceled |
| Lahij | Tuban | Al Moqaiteer | Low | 160000 | canceled |
| Lahij | Tuban | Al Qoraishi | Low | 39300 | canceled |
| Lahij | Tuban | Al Wa'rah | Low | 2500 | canceled |
| Lahij | Tuban | Zaida | Low | 36800 | canceled |
| Lahij | Al Musaimeer | Al Doraija | Low | 300000 | canceled |
| Sana'a | Al Haimah Al Kharejyah | Najd Al Soos + Al Moqabel | Low | 3000 | canceled |
| Sana'a | Al Salfyah | Al A'aridhah | Low | 50000 | canceled |
| Sana'a | Al Salfyah | Al Aden | Low | 34000 | canceled |
| Sana'a | Al Salfyah | Al Aqabah | Low | 65000 | canceled |
| Sana'a | Al Salfyah | Al Hellah | Low | 1600 | canceled |
| Sana'a | Arhab | Al Enami | Low | 2000 | canceled |

| | | | | | |
|--------|---------------|-------------------------------|-----|---------|----------|
| Sana'a | Arhab | Bait Marran | Low | 6500 | canceled |
| Sana'a | Bani Bahloul | Al Hammami | Low | 41500 | canceled |
| Sana'a | Bani Bahloul | Al Hisn & Bait Watar | Low | 13500 | canceled |
| Sana'a | Bani Bahloul | Al Khadhra' | Low | 5000 | canceled |
| Sana'a | Bani Bahloul | Al Lejjam | Low | 240000 | canceled |
| Sana'a | Bani Bahloul | Bait Al Raboo'ey & Bait 'Elal | Low | 290000 | canceled |
| Sana'a | Bani Bahloul | Dajja | Low | 620000 | canceled |
| Sana'a | Bani Bahloul | Hadath | Low | 439500 | canceled |
| Sana'a | Bani Bahloul | Khayran | Low | 82000 | canceled |
| Sana'a | Bani Bahloul | Sarfa | Low | 600 | canceled |
| Sana'a | Bani Hushaish | Al Dherah | Low | 120 | canceled |
| Sana'a | Bani Hushaish | Al Qariah | Low | 15000 | canceled |
| Sana'a | Bani Hushaish | Bait Al Aghrobi | Low | 5000 | canceled |
| Sana'a | Bani Matar | Aiban | Low | 50000 | canceled |
| Sana'a | Bani Matar | Al Jadb | Low | 9250 | canceled |
| Sana'a | Bani Matar | Bait Hanbas | Low | 800000 | canceled |
| Sana'a | Bani Matar | Bait Mahfad | Low | 9000 | canceled |
| Sana'a | Bani Matar | Hillah | Low | 4000 | canceled |
| Sana'a | Bilad Al Roos | Bait Al Asadi | Low | 780 | canceled |
| Sana'a | Bilad Al Roos | Bait Al Ziadi | Low | 1000 | canceled |
| Sana'a | Khawlan | Al Baiydh | Low | 616150 | canceled |
| Sana'a | Khawlan | Al Hissn Al Abiadh | Low | 400000 | canceled |
| Sana'a | Khawlan | Al Safaih | Low | 30345 | canceled |
| Sana'a | Khawlan | Jahanah | Low | 1422500 | canceled |
| Sana'a | Khawlan | Shawban | Low | 966 | canceled |
| Sana'a | Sanhan | Al Mahaqirah | Low | 500 | canceled |
| Taiz | Al Waze'yah | Al Harthah | Low | 100000 | canceled |
| Taiz | Al Waze'yah | Al Hojairah | Low | 130000 | canceled |
| Taiz | Al Waze'yah | Al Rahaita Al O'lya | Low | 50000 | canceled |
| Taiz | Al Waze'yah | Al Rahaita Al Soflah | Low | 100000 | canceled |
| Taiz | Al Waze'yah | Al Shobab | Low | 180000 | canceled |
| Taiz | Al Waze'yah | Bakhitah | Low | 6000 | canceled |

| | | | | | |
|------|------------------|-------------------------|-----|-------------|--------|
| Taiz | Al Waze'yah | Wadi Al Maqam | Low | 360000 | cancel |
| Taiz | Maqbanah | Al Hajjar | Low | 80000 | cancel |
| Taiz | Maqbanah | So'anob | Low | 33500 | cancel |
| Taiz | Shar'ab Al Rawna | Al Ahwab | Low | 2000 | cancel |
| Taiz | Shar'ab Al Rawna | Al Baidha | Low | 3600 | cancel |
| Taiz | Shar'ab Al Rawna | Al Dajaisah Bani Salman | Low | 5000 | cancel |
| Taiz | Shar'ab Al Rawna | Al Ghail | Low | 240000 | cancel |
| Taiz | Shar'ab Al Rawna | Al Ghowail | Low | 10000 | cancel |
| Taiz | Shar'ab Al Rawna | Al Heyaj | Low | 15000 | cancel |
| Taiz | Shar'ab Al Rawna | Al Jizayyir | Low | 30000 | cancel |
| Taiz | Shar'ab Al Rawna | Al Majarin | Low | 7.065000057 | cancel |
| Taiz | Shar'ab Al Rawna | Al Maqlad | Low | 65000 | cancel |
| Taiz | Shar'ab Al Rawna | Al Maraheed | Low | 17000 | cancel |
| Taiz | Shar'ab Al Rawna | Al Modwarah | Low | 62000 | cancel |
| Taiz | Shar'ab Al Rawna | Al Moghaileq | Low | 800 | cancel |
| Taiz | Shar'ab Al Rawna | Al Mohalhel | Low | 75000 | cancel |
| Taiz | Shar'ab Al Rawna | Al Noba | Low | 3500 | cancel |
| Taiz | Shar'ab Al Rawna | Al Qasha'a | Low | 22500 | cancel |
| Taiz | Shar'ab Al Rawna | Al Qorof | Low | 2800 | cancel |
| Taiz | Shar'ab Al Rawna | Al Rebat | Low | 10000 | cancel |
| Taiz | Shar'ab Al Rawna | Al Rommanh | Low | 7500 | cancel |
| Taiz | Shar'ab Al Rawna | Al Son' | Low | 4500 | cancel |
| Taiz | Shar'ab Al Rawna | Al Tho'aib | Low | 30000 | cancel |
| Taiz | Shar'ab Al Rawna | Harf Al Bostan | Low | 9000 | cancel |
| Taiz | Shar'ab Al Rawna | Johbor | Low | 10000 | cancel |
| Taiz | Shar'ab Al Rawna | Khawalah | Low | 250 | cancel |
| Taiz | Shar'ab Al Rawna | Kimah | Low | 5025 | cancel |
| Taiz | Shar'ab Al Rawna | Moneeh | Low | 2000 | cancel |
| Taiz | Shar'ab Al Rawna | Morekhah | Low | 4400 | cancel |
| Taiz | Shar'ab Al Rawna | Mori'ah | Low | 1500 | cancel |
| Taiz | Shar'ab Al Rawna | Qallat Al Swaidah | Low | 12000 | cancel |
| Taiz | Shar'ab Al Rawna | Sobaha Al Oilya | Low | 10000 | cancel |

| | | | | | |
|-----------|------------------|-------------------|-----|--------------------|----------|
| Taiz | Shar'ab Al Rawna | Ya'fes | Low | 6000 | canceled |
| Taiz | Shar'ab Al Salam | Wadheha Al Sofla | Low | 9800 | canceled |
| Total | | | | 128,891,855 | |
| Abyan | Khanfar | Mahattat Al Alam | Low | 23000000 | Ongoing |
| Abyan | Modya | Modiya | Low | 45 | Ongoing |
| Amran | Raidah | Somain | Low | 960000 | Ongoing |
| Amran | Thula | Hadhoor Al Sheikh | Low | 18000 | Ongoing |
| Hadramout | Thamood | Thamood | Low | 800000 | Ongoing |
| Hadramout | Quf Al Awamer | Radhah Bin Qoraid | Low | 90400 | Ongoing |
| Ibb | Al Nadera | Al Jabaib | Low | 45000 | Ongoing |
| Ibb | Al Nadera | Bait Al Homazah | Low | 1500000 | Ongoing |
| Ibb | Al Radhma | Al Qudmah | Low | 2002000 | Ongoing |
| Ibb | Al Saddah | Al Haqlain | Low | 360000 | Ongoing |
| Ibb | Al She'ar | Al Shirayhy | Low | 21500 | Ongoing |
| Ibb | Al She'ar | Bait Qara'ah | Low | 15000 | Ongoing |
| Ibb | Al Nadera | Homol (Dhawdan) | Low | 220000 | Ongoing |
| Ibb | Al Nadera | Zyiah | Low | 2400000 | Ongoing |
| Ibb | Al She'ar | Dhi Heyah | Low | 1040 | Ongoing |
| Lahij | Al Qabbaita | Mahsoos | Low | 8000 | Ongoing |
| Lahij | Toor Al Baha | Dar Al Qodaimi | Low | 15000 | Ongoing |
| Mareb | Hareeb | Qawz Rashed | Low | 2000000 | Ongoing |
| Taiz | Al Waze'yah | Qanahwo | Low | 18600 | Ongoing |
| Total | | | | 33,474,585 | |
| Al Dhale' | Damt | Rakhma | Low | 45000 | Left |
| Al Dhale' | Juban | Al Ghofra | Low | 402500 | Left |
| Al Dhale' | Juban | Al Lomihya | Low | 600000 | Left |
| Al Dhale' | Juban | Al Mirab | Low | 1000 | Left |
| Al Dhale' | Qa'tabah | Adanat Al Shami | Low | 70000 | Left |
| Al Dhale' | Qa'tabah | Al Lawi | Low | 42400 | Left |
| Al Dhale' | Qa'tabah | Kobi | Low | 16000 | Left |

| | | | | | |
|-----------|-------------------|-------------------------------|-----|----------|------|
| Al Jawf | Al Hazm | Al Saleel Shehatt | Low | 1116000 | Left |
| Al Jawf | Al Hazm | Baten Al Saeed | Low | 340000 | Left |
| Al Jawf | Al Hazm | Batten Al Hamam | Low | 456000 | Left |
| Al Jawf | Al Hazm | Yanabba'a | Low | 1340000 | Left |
| Al Jawf | Al Humaidat | Al Fajrah | Low | 4500 | Left |
| Al Jawf | Al Humaidat | Al Humaidat | Low | 141500 | Left |
| Al Jawf | Al Humaidat | Al Wagherah | Low | 2800 | Left |
| Al Jawf | Al Humaidat | Aqubah | Low | 39000 | Left |
| Al Jawf | Al Humaidat | Janat Melass | Low | 5000 | Left |
| Al Jawf | Al Humaidat | Ramdha | Low | 3500 | Left |
| Al Jawf | Al Humaidat | Safh Al No'man | Low | 39200 | Left |
| Al Jawf | Al Matma | Al Hamah Al Seqrah | Low | 55000 | Left |
| Al Jawf | Al Zaher | Al Dhaheeka | Low | 70000 | Left |
| Al Jawf | Al Zaher | Al Haraj Al Easa | Low | 240000 | Left |
| Al Jawf | Al Zaher | Qarn Al-Melahah | Low | 150000 | Left |
| Al Jawf | Khab Al Sha'f | Al Ashra' Aal Hadpan | Low | 787400 | Left |
| Al Jawf | Khab Al Sha'f | Al Rzezah | Low | 312000 | Left |
| Al Jawf | Khab Al Sha'f | Beer Al Marazeeq | Low | 12130000 | Left |
| Al Jawf | Kharab Al Marashi | Qaryat Sam'ar | Low | 75000 | Left |
| Al Mahra | Shahen | Wadi Habroot | Low | 10000 | Left |
| Amran | Harf Sufyan | Al Darab | Low | 100000 | Left |
| Hadramout | Hajr Al Se'ar | Hajar Aal Shaiban | Low | 2000000 | Left |
| Hadramout | Quf Al Awamer | Hisn Hamah | Low | 17800 | Left |
| Hadramout | Quf Al Awamer | Ras Al Fara | Low | 13300 | Left |
| Ibb | Al Nadera | Al Haifah | Low | 65000 | Left |
| Ibb | Al Nadera | Al Mangadh | Low | 300000 | Left |
| Ibb | Al Nadera | Al Mashhooth | Low | 20000 | Left |
| Ibb | Al Nadera | Bait Al Qabel and Dar Suliman | Low | 161500 | Left |
| Ibb | Al Nadera | Mojar | Low | 2160000 | Left |
| Ibb | Al Nadera | Tamur | Low | 750000 | Left |
| Ibb | Al Odain | Al Jabal | Low | 200000 | Left |
| Ibb | Al Qafr | Al Sharjyah | Low | 1200 | Left |

| | | | | | |
|-------|-------------|-------------------------------|-----|---------|------|
| Ibb | Al Radhma | Al Harf | Low | 4500 | Left |
| Ibb | Al Radhma | Al Ma'zaba | Low | 80000 | Left |
| Ibb | Al Radhma | Mazob Al Azab | Low | 1000 | Left |
| Ibb | Al Radhma | Shia'b Assanaf | Low | 30500 | Left |
| Ibb | Al Radhma | Tammar | Low | 8100 | Left |
| Ibb | Ba'dan | Sa'wan | Low | 60000 | Left |
| Lahij | Al Melah | Qarn Meqla' | Low | 1500 | Left |
| Lahij | Al Qabbaita | Al Alfaqi | Low | 350 | Left |
| Lahij | Al Qabbaita | Al Hodaid | Low | 200000 | Left |
| Lahij | Al Qabbaita | Qorrenah | Low | 50000 | Left |
| Lahij | Tuban | Al Habil | Low | 2000000 | Left |
| Lahij | Tuban | Al Mansora | Low | 800000 | Left |
| Lahij | Tuban | Region of (Ber Ali Hadi) | Low | 100000 | Left |
| Mareb | Al Jawba | Al Ajmah | Low | 1200 | Left |
| Mareb | Al Jawba | Al Amood | Low | 1350 | Left |
| Mareb | Al Jawba | Al Hajelah | Low | 200000 | Left |
| Mareb | Al Jawba | Al Hejelah Al Ardd | Low | 160000 | Left |
| Mareb | Al Jawba | Al Wash'ah Al Amood | Low | 500000 | Left |
| Mareb | Al Jawba | Al Woshal A'al Ghonym Al Ardd | Low | 500000 | Left |
| Mareb | Al Jawba | Haro Al Ardd | Low | 800000 | Left |
| Mareb | Al Jawba | Hazm Al Matawia | Low | 1275000 | Left |
| Mareb | Al Jawba | Y'ara | Low | 9100 | Left |
| Mareb | Hareeb | Al Akremah A'al Al Ajeeda. | Low | 1000000 | Left |
| Mareb | Hareeb | Al Dafenah | Low | 1500000 | Left |
| Mareb | Hareeb | Al Khanq | Low | 500000 | Left |
| Mareb | Hareeb | Al Marhamah | Low | 4000 | Left |
| Mareb | Hareeb | Al Rawdah | Low | 2150000 | Left |
| Mareb | Hareeb | Al Rawdah (Aal Al Saqaf) | Low | 1360000 | Left |
| Mareb | Mareb | Aal Sa'dan | Low | 50000 | Left |
| Mareb | Mareb | Aal Shawdaq | Low | 400000 | Left |
| Mareb | Mareb | Al Dhobaibi | Low | 200000 | Left |
| Mareb | Mareb | Al Ma'bad | Low | 100000 | Left |

| | | | | | |
|---------|-------------|-------------------|-----|----------|------|
| Mareb | Mareb | Al Moshakhara | Low | 200000 | Left |
| Mareb | Serwah | Al Hamajerh | Low | 202000 | Left |
| Mareb | Serwah | Naseeb Al Mahjar | Low | 12000 | Left |
| Sa'ada | Al Safraa' | Al Darb | Low | 330000 | Left |
| Sa'ada | Al Safraa' | Al Eashra | Low | 60000 | Left |
| Sa'ada | Al Safraa' | Al Hadhairah | Low | 16900 | Left |
| Sa'ada | Al Safraa' | Al Maqam | Low | 2700 | Left |
| Sa'ada | Al Safraa' | Al Namer | Low | 3600 | Left |
| Sa'ada | Al Safraa' | Al Quma' Al Asfal | Low | 30000 | Left |
| Sa'ada | Al Safraa' | Al Salsal | Low | 5500 | Left |
| Sa'ada | Al Safraa' | Al Wadi | Low | 1500 | Left |
| Sa'ada | Al Safraa' | Damaj | Low | 38000 | Left |
| Sa'ada | Ketaf | Al Sadr | Low | 1625 | Left |
| Sa'ada | Majaz | Abtah | Low | 1000 | Left |
| Sa'ada | Majaz | Al Ghareesa | Low | 1200 | Left |
| Sa'ada | Majaz | Tandhoor | Low | 600 | Left |
| Sa'ada | Sehar | Al Fohaish | Low | 27500 | Left |
| Sa'ada | Sehar | Al Hadab | Low | 100000 | Left |
| Sa'ada | Sehar | Al Jabajeb | Low | 3000 | Left |
| Sa'ada | Sehar | Al Kawaza'ah | Low | 1000 | Left |
| Sa'ada | Sehar | Al Malaha | Low | 20000 | Left |
| Sa'ada | Sehar | Al Qudami | Low | 87500 | Left |
| Shabwah | Al Ain | Al Saq | Low | 3900000 | Left |
| Shabwah | Armaa' | Al Qardhi Wadi | Low | 75000000 | Left |
| Shabwah | Armaa' | Hubaidh Al Asfal | Low | 240 | Left |
| Shabwah | Ataq | Al Sawda | Low | 100000 | Left |
| Shabwah | Duher | Beer Al Hawi | Low | 10800000 | Left |
| Shabwah | Nesab | Nissab | Low | 275000 | Left |
| Shabwah | Ussailan | Al Qawz | Low | 2300000 | Left |
| Taiz | Al Waze'yah | Al Jaddon | Low | 6200 | Left |
| Taiz | Al Waze'yah | Al Rada Al Hanhan | Low | 18000 | Left |
| Taiz | Al Waze'yah | Ront Al Msarh | Low | 36000 | Left |

| | | | | | |
|-------------|------------------|------------------|-----|---------------|-----------|
| Taiz | Maqbanah | Al Dhanabah | Low | 30000 | Left |
| Taiz | Maqbanah | Al Torabi | Low | 250000 | Left |
| Taiz | Maqbanah | Jassar | Low | 1000 | Left |
| Taiz | Shar'ab Al Salam | Al Osahi | Low | 10300 | Left |
| Total | | | | 132,201,565.0 | |
| Abyan | Khanfar | Al Sayyadien | Low | 4480000 | Suspended |
| Al Dhale' | Damt | Bait Tawil | Low | 3780000 | Suspended |
| Al Dhale' | Juban | Al Hankah | Low | 25750 | Suspended |
| Hadramout | Zamkh Wa Manoukh | Aiwah | Low | 3500000 | Suspended |
| Lahij | Tuban | Kadamat Awad Ali | Low | 2000000 | Suspended |
| Sana'a | Bilad Al Roos | Kidar | Low | 3004 | Suspended |
| Total | | | | 13,788,754.0 | |
| Grand Total | | | | 923,332,280.8 | |

APMs retained or transferred Form D

"Each State Party shall report to the Secretary-General ... on: Article 7.1

d) The types, quantities and, if possible, lot numbers of all anti-personnel mines retained or transferred for the development of and training in mine detection, mine clearance or mine destruction techniques, or transferred for the purpose of destruction, as well as the institutions authorized by a State Party to retain or transfer anti-personnel mines, in accordance with Article 3"

State [Party]: REPUBLIC OF TEMEN

reporting for time period from 31 March 2011 to 31 March 2012

1a. **Compulsory:** Retained for development of and training in (Article 3, para.1)

| Institution authorized by State Party | Type | Quantity | Lot # (if possible) | Supplementary information |
|---------------------------------------|-----------------------------------|----------|---------------------|---------------------------|
| MoD Military | We have no development facilities | | | |
| | | | | |
| TOTAL | ----- | | | |

1b. **Voluntary information** (Action #54 of Nairobi Action Plan)

| Objectives | Activity / Project | Supplementary information |
|------------|--------------------|----------------------------------------------------------------------------------------------------------------------------------------------------------------------------------------------------------------------------------------------|
| | | <i>(Description of programs or activities, their objectives and progress, types of mines, time period if and when appropriate...)</i> |
| | | “Information on the plans requiring the retention of mines for the development of and training in mine detection, mine clearance, or mine destruction techniques and report on the actual use of retained mines and the results of such use” |

NOTE: Each State Party should provide information on plans and future activities if and when appropriate and reserves the right to modify it at any time

Form D (continued)

2. **Compulsory:** Transferred for development of and training in (Article 3, para.1)

| Institution authorized by State | Type | Quantity | Lot # (if possible) | Supplementary information: |
|---------------------------------|------|----------|---------------------|----------------------------|
|---------------------------------|------|----------|---------------------|----------------------------|

| | | | | |
|--------------|---------------|-------|--|-----------------------------------------------------------------------------------------------------------------------------------------------|
| Party | | | | e.g. transferred from, transferred to |
| | PPMISR-2 | 940 | | Military Central storage Facilities in Sana'a and Aden to Military Engineering Department Training Facility and Mine Deduction Dogs Unit MDDU |
| | PMD-6 | 940 | | |
| | POMZ-2 | 940 | | |
| | PMN | 940 | | |
| TOTAL | ----- | 3,760 | | |

60 Mines of each type been used for dogs training

Compulsory: Transferred for the purpose of destruction (*Article 3, para.2*) 3.

| Institution authorized by State Party | Type | Quantity | Lot # (if possible) | Supplementary information: e.g. transferred from, transferred to |
|---------------------------------------|------------|------------|---------------------|---------------------------------------------------------------------|
| N.M.A.C | Nil | Nil | | No more mines in stockpile. |
| | | | | |
| TOTAL | ----- | | | |

Status of programs for conversion or de-commissioning of APM production facilities Form E

"Each State Party shall report to the Secretary-General ... on: Article 7.1

e) The status of programs for the conversion or de-commissioning of anti-personnel mine production facilities."

State [Party]: REPUBLIC OF YEMEN reporting for time period from 31 March 2011 to 31March 2012

| Indicate if to "convert" or "decommission" | Status (indicate if "in process" or "completed") | Supplementary information |
|--------------------------------------------|--------------------------------------------------|-------------------------------------------|
| | | Nil Production facilities in Yemen |
| | | |

Status of programs for destruction of APMs Form F

"Each State Party shall report to the Secretary-General ... on: Article 7.1

f) The status of programs for the destruction of anti-personnel mines in accordance with Articles 4 and 5, including details of the methods which will be used in destruction, the location of all destruction sites and the applicable safety and environmental standards to be observed."

State [Party]: REPUBLIC OF YEMEN reporting for time period from 31 March 2011 to 31 March 2012

1. Status of programs for destruction of stockpiled APMs (*Article 4*)

| | |
|----------------------------------------------------------|--------------------------------------------------------------------------------------------------------------------------------|
| Description of the status of programs including: | Details of: |
| Location of destruction sites | |
| The last destruction was in 2008 in Aden ,Al-Whed | Methods: Explosive demolition/group detonation / crushing the body of the mines. |
| | Applicable safety standards: In accordance with the United Nation International Standards for disposal of Unexploded Ordnance. |
| | Applicable environmental standards: To be developed in co-operation With the Yemen Environmental Protection Council. |

Status of programs for destruction of APMs in mined areas (*Article 5*) 2.

| | |
|----------------------------------------------------------------------------|-----------------------------------------------------------------------------------------------------------------------------------------------------------------------------------------------------------------------------------------------------------------------------------------------------------------------------------------------------------------------------------------------------------------------------------------------------------------------------------------------------------------------------------------------------------------------------------------------------------------------------------------------------------------------------------------------------------------------------------------------------------------------------------------------------------------------------------------------------------------------------------------------------------------------------------------------------------------------------------------------------------------------------------------------------------------------------------------------------------------------------------------------------------------------------------------------------------------------------------------------------------------------------------------------------------------------------------------------------------------------------|
| Description of the status of programs including: | |
| Location of destruction sites within minefield being Surveyed and demined. | <p>Details of: Details of Demining program: 8 Units of Yemeni deminers and 5 small Units(Platoons) and 12 Survey teams and 12 Dog teams and three MDDG have been trained and deployed on demining operations, Breeding started 6 years back and we have 12 Dogs been trained in 2011. Since June 1999 A number of AT and AP Mines have been located and destroyed in site as per SOPs is 89946 and from the total 924 minefield marked, 788 Minefields have been fully cleared in accordance with UN International standards and handed over to the local population under Quality insurance procedures and for that we have 5 Quality insurance Teams. The clearance still ongoing in 45 and 78 minefields are ready to be cleared. And lately we declared Aden, Al Hodidah, Hajjah, Dhamar and Sana'a. Demining operation are decreased to 12 districts in Abb, Al Dhale'e, Mareeb, Hadhramut, Lahij, Taiz, Al Mahrah and Amran Governments the fourteen high impact areas been surveyed and cleared, (In three communities three Minefields has been permanently marked and the total of 13 minefields permanently marked according to the National Mine Action plan and five minefields were permanently marked and now they are completed. From the Medium 86 Comm. we surveyed and cleared 82 Comm.. And from the Low 495 Comm. we surveyed and cleared 388 Comm.</p> |
| | Methods: Mines are blown in situ using hand-placed explosive charges. |
| | Applicable safety standards, In accordance with United Nations International Humanitarian Standards for Demining. |

| | |
|--|------------------------------------------------------------------------------------------------------------------------|
| | Applicable environmental standards: in accordance with the requirements of the Yemen Environmental protection Council. |
|--|------------------------------------------------------------------------------------------------------------------------|

APMs destroyed after entry into force Form G

"Each State Party shall report to the Secretary-General ... on: Article 7.1

g) The types and quantities of all anti-personnel mines destroyed after the entry into force of this Convention for that State Party, to include a breakdown of the quantity of each type of anti-personnel mine destroyed, in accordance with Articles 4 and 5, respectively, along with, if possible, the lot numbers of each type anti-personnel mine in the case of destruction in accordance with Article 4"

State [Party]: Republic of Yemen reporting for time period from 31 March 2011 to 31 March 2012

1. Destruction of stockpiled APMs (Article 4)

| Type | Quantity | Lot # (if possible) | Supplementary information |
|-----------|----------------------|---------------------|-------------------------------------------------------------------------------------------------------------------------------------------------------------------------------------------------------------------------------------------------------------------------------------------------------------------------------------------------------------------------------------------------------------------------------------------------------------------------------------------------|
| PPMN-SR-2 | 16,000 30.000 | | Destruction was in 27 April 2002 with attendance of the Prim Minister Mr. Abdul Gader Bagmal, Ministers ambassadors, UNDP representative ICBL representative Government and NGOS representative in Yemen and the international press, in the destruction site in Aden The destruction of the 30000 Mines POMZ-2 take place on 16 Dec 2007 by crushing the body of the mines by a heavy machine(photo attached in 2008 report). The contain of the mines of TNT been used to destroy the UXOs. |
| PMD-6 | 1500 | | |
| PMN | 2000 | | |
| | | | Monument built of the buddies of Mines. |

| | | | |
|-------|----------------------|--|--|
| POM-2 | 58,000 | | |
| TOTAL | 108,000 all types | | |

2. Destruction of APMs in mined areas (*Article 5*)

| Type | Quantity | Supplementary information |
|-------|-------------------------------------|-----------------------------------------------------------------------------------------------------------------------------|
| AP/AT | 28 A/P Mines and 1A/T 279 UXO | Lahej Abain Abb , Al Dale, Hadhramut Taiz.,Shabwoah And ,Amran . During the period from 31 March2011 to 31 March 2012 |
| | | |
| TOTAL | | |

Form G (continued)

3. Previously unknown stockpiles of anti-personnel mines discovered and destroyed after the deadlines have passed. (*Action #15 of Nairobi Action Plan*)*

| Type | Quantity | Lot # (if possible) | Supplementary information |
|-------|----------|---------------------|---------------------------|
| | | | |
| | | | |
| TOTAL | | | |

* Pursuant to the decision of the 8MSP, as contained in paragraph 29 of the Final Report of the Meeting, document APLC/MSP.8/2007/6.

Technical characteristics of each type produced/owned or possessed Form H

"Each State Party shall report to the Secretary-General ... on: Article 7.1

h) The technical characteristics of each type of anti-personnel mine produced, to the extent known, and those currently owned or possessed by a State Party, giving, where reasonably possible, such categories of information as may facilitate identification and clearance of anti-personnel mines; at a minimum, this information shall include the dimensions, fusing, explosive content, metallic content, colour photographs and other information which may facilitate mine clearance"

State [Party]: **REPUBLIC OF YEMEN** reporting for time period from **31 March 2011** to **31 March 2012**

1. Technical characteristics of each APM-type produced

| Type | Dimensions | Fusing | Explosive content | | Metallic content | Colour photo attached | Supplementary information to facilitate mine clearance. |
|------|------------|--------|-------------------|-------|------------------|-----------------------|---------------------------------------------------------|
| | | | type | grams | | | |
| | | | | | | | Nil produced in Yemen |
| | | | | | | | |

2. Technical characteristics of each APM-type currently owned or possessed

| Type | Dimensions | Fusing | Explosive content | | Metallic content | Colour photo attached | Supplementary information to facilitate mine clearance. |
|-----------|-------------------------|---------------------|-------------------|-------|------------------|-----------------------|---------------------------------------------------------|
| | | | type | grams | | | |
| PPMI-SR-2 | 152mm ht x 102mm dia | Model RO-1, RO-8 | TNT | 325g | 2800 g | Yes | |

| | | | | | | | |
|-------|-----------------------------------------|-----------------------------|--------|-------|-----|-----|--|
| PMD-6 | 191 mm lgth x 89mm w x64 mm ht | MUV 1-3 | TNT | 200 g | Yes | Yes | |
| POM-2 | 130 mm ht x 60 mm dia | MUV 1-4 | TNT | 75 g | Yes | Yes | |
| PMN | 56 mm ht x 112 mm dia | Not integral but unnamed | Trotyl | 200 g | Yes | Yes | |

Measures to provide warning to the population Form I

"Each State Party shall report to the Secretary-General ... on: Article 7.1

i) The measures taken to provide an immediate and effective warning to the population in relation to all areas identified under paragraph 2 of Article 5."

Remark: In accordance with Article 5, para.2: "Each State Party shall make every effort to identify all areas under its jurisdiction or control in which anti-personnel mines are known or suspected to be emplaced and shall ensure as soon as possible that all anti-personnel mines in mined areas under its jurisdiction or control are perimeter-marked, monitored and protected by fencing or other means, to ensure the effective exclusion of civilians, until all anti-personnel mines contained therein have been destroyed. The marking shall at least be to the standards set out in the Protocol on Prohibitions or Restrictions on the Use of Mines, Booby-Traps and Other Devices, as amended on 3 May 1996, annexed to the Convention on Prohibitions or Restrictions on the Use of Certain Conventional Weapons Which May Be Deemed to Be Excessively Injurious or to Have Indiscriminate Effects".

State [Party]: **REPUBLIC OF YEMEN** reporting for time period from 31 March 2011 to 31March 2012

[Narrative:]

Yemen has established a National Mine Action Committee(NMAC)through Prime ministerial decree ,which is responsible for formulation Of the integrated national mine action plan, and directing the Yemen Mine Action Center to conduct mine action operations.

A Mine Awareness Advisory committee (MAAC) has been established under the Chairmanship of the Deputy Minister for Information.

This Committee is responsible for developing a national mine awareness campaign for submission to, and approval of, the NMAC.

A level one survey was concluded, and provided detailed factual information concerning the location of mine affected areas, and , more importantly, the impact of landmines on effected communities. This information been used to produce a plan for prioritisation of all mine program assets. The plan includes mine clearance, minefield survey and marking, mine awareness and victim assistance.

The 777 trained deminers and survey teams and 12 sets of MDD plus 3 MDDG,14 UXO disposal teams and 5 quality insurance teams are currently conducting Mine clearance, minefield survey and marking in the Medium and low impact regions in accordance with UN International Humanitarian Demining Standards. Mine Awareness field teams operate in the same areas prior to, and during ,marking operations to ensure the local population is

aware of the ongoing operations, and are advised of the dangers of mines. .2001 establish technical survey teams and deployed in the impact areas and surveyed the impact areas and handed over to the demining company for clearance the high is Cleared, from the 86 Medium impact comm. we surveyed and cleared 81 communities. And from the 495 low impact comm. we surveyed and cleared 370 comm. From the total suspected area 923 Sq.Km. YEMAC has surveyed and cleared 784.6 Sq.Km.

_ YEMAC face new challenge in Sada'a governorate after insurgences war. New kinds of mines made manually by insurgences and planted in Sada'a, some of them demined by the insurgences and they missed others. On March 2010, YEMAC started demining in Sada'a because many mine accidents happened during one month, killed and injured civilian people but in 2011 and 2012 YEMAC have stopped demining because of many security reasons till we insure that YEMAC teams will be in safe condition and YEMAC have presented a plan to the government for implementing LIS, clearance, technical survey, MRE and VA also, YEMAC planned to establish a branch in Saadah governorate. Lately, the war events have extended to Hajjah governorate and many mines accidents happened in this governorate to caouse unknown number of civilian killed and injured also one of the big challenges that YEMAC cann't get the information about the mine victims.

_ Abyan Governorate is one of the new governorates which completely affected by mines because of the war that started between the Yemeni army and Al Gaedah groups and YEMAC also have presented a plan to start all it's activities when the condition been safe.

In other Mine Awareness activities the MRE department have implemented a nationwide Awareness campaign which includes training personnel from the Ministry of Information and education who in turn have trained community based mine awareness cells in conducting child-to-child instruction and other innovative methods including Theatre groups, musicians, and poster and poetry competitions. and we conducted Mine Awareness Field visit to 866 villages and trained 1025 M/F to contact MRE in there comm.. and conducted 44 workshops and Targeted 730,155 Female and 760,864 Male and distributed all Mine awareness items to the people in these villages ,printing new materials , and by that, mine awareness teams finished the high, medium affected communities and most of low affected communities plus that are engaged in hand over and documentation ceremony the cleared Mine fields .

During this period, mine risk education focused at the refuges camps in Sada'a and Hajjah Governorates after the insurgences war and Yemen Mine Awareness Association have executed MRE with YEMAC in these camps.New kinds of mines have been used in Sada'a and Hajjah Governorates and these mines printed on the brocures destrebuted to the refuges by MRE teams.

In terms of Victim Assistance, the Yemen Ministry of Health and Ministry of Insurance and Social Affairs, in conjunction with Yemen prosthetics centre and international NGO conduct support programs for mine victims. Community Based Rehabilitation projects are training more field workers to cover all priority areas including prosthetics, physical therapy, and reintegration in community life.We also have a victim registration file including an IMSMA for the new casualties . With this system we can keep the data in a well organised manner for current and future use beside we have data base for all victims in the victim assistance department . and schedule surgery examinations to provide them with all needs such as health care, artificial

limbs and physical rehabilitation. The National Mine Action Program has a plan to continue to do so with all victims in Yemen. The full range of services will be on the victim assistance Program only to related Mine victims.(for the other disabled we refer people to Ministry of Health and Ministry of Social affairs).

With the three phases of the victim assistance programs we surveyed and registered 2599 all years. victims in all affected governorates except shabwah, Mareeb and Al Jawf governorates. From this number we reached the second phase (Medical Exam) 1829 victims and the third phase we supported 1861 all years. Each survivor will have a file explaining his physical situation.

Phase two is gathering all the survivors and transporting them to Aden hospital for surgery examination and identification of medical needs.

Phase three (according to the medical report made by the specialist doctors), will provide the needs such as, hearing devices, artificial limbs, lenses, glasses and re-corrective operation of the amputees, as well as physical rehabilitation .

With this it is a great honor for the program to announce that we have reached to a big number of survivors that we have arranged different surgeon operations, distributed 253 surgery + Eye surg.,290 artificial limbs, 437eye glasses and 155 wheel chairs. 134 Hearing aid ,243 PH therapy, 119 shoes , 77 belts , 155 crutches and 422 investigation.

The fourth Phase of Victim Assistance program started after we received the generous contribution from the Government of Japan. support for this Phase by establishing Yemen Association for the Mine /UXO survivors which trained and created different Jobs opportunity for 250 F/M survivors and the YALS is in a great need for fund and they are struggling to run the YALS since 2006 . On March 2010, YALS started refreshing after receiving the first installment of the U.S.A support.

Other relevant matters Form J

Remark: States Parties may use this form to report voluntarily on other relevant matters, including matters pertaining to compliance and implementation not covered by the formal reporting requirements contained in Article 7. States Parties are encouraged to use this form to report on activities undertaken with respect to Article 6, and in particular to report on assistance provided for the care and rehabilitation, and social and economic reintegration, of mine victims.

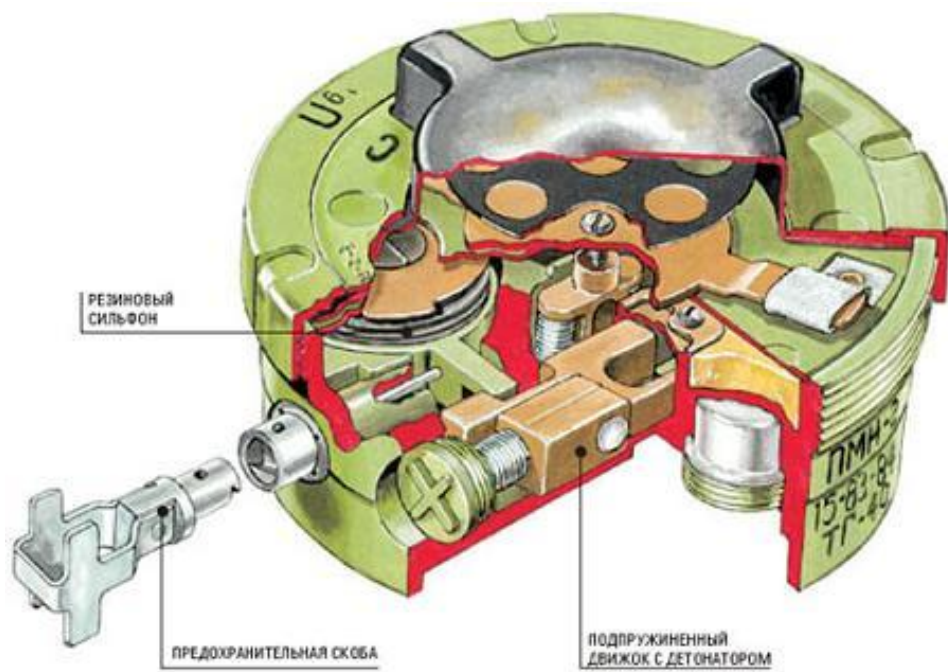
State [Party]: **REPUBLIC OF YEMEN** reporting for time period from 31 March 2011 to 31March 2012

[Narrative / reference to other reports:]

Yemen Mine Action Program couldn't fulfil the 2011 plan as requested because of the last events which accured in some arab countries including yemen which results in unsafe situation in most areas of Yemen, in addition to the reduction of donation as the doners countries and united nation organizations were engaged with another humanitarian issues.

During 2012, Yemen Mine Action Program hopes that the political of security situation in the country will improve so that it tryes hard to recover the shortage which caused by those obstacles.

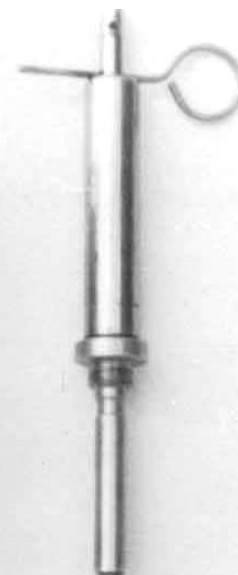
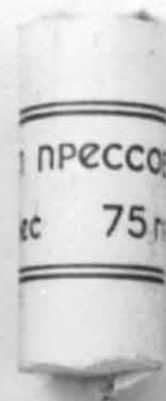
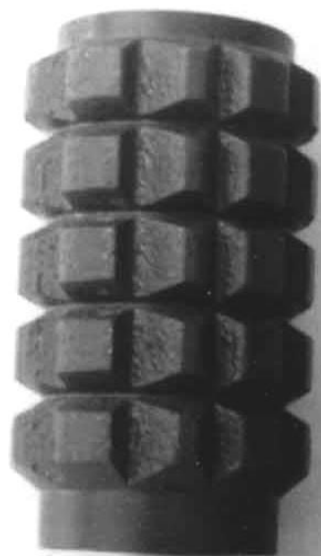
PMN 2



POMZ-2



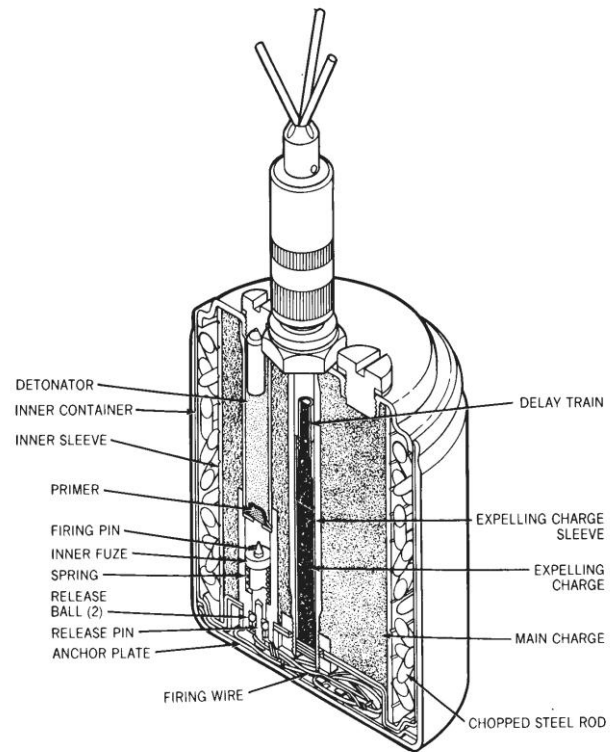
POMZ-2M



2



PP-Mi-Sr



PMD-6

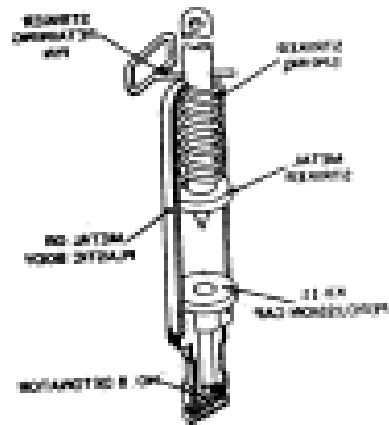
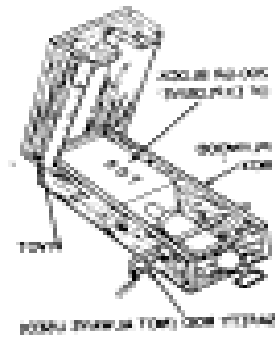
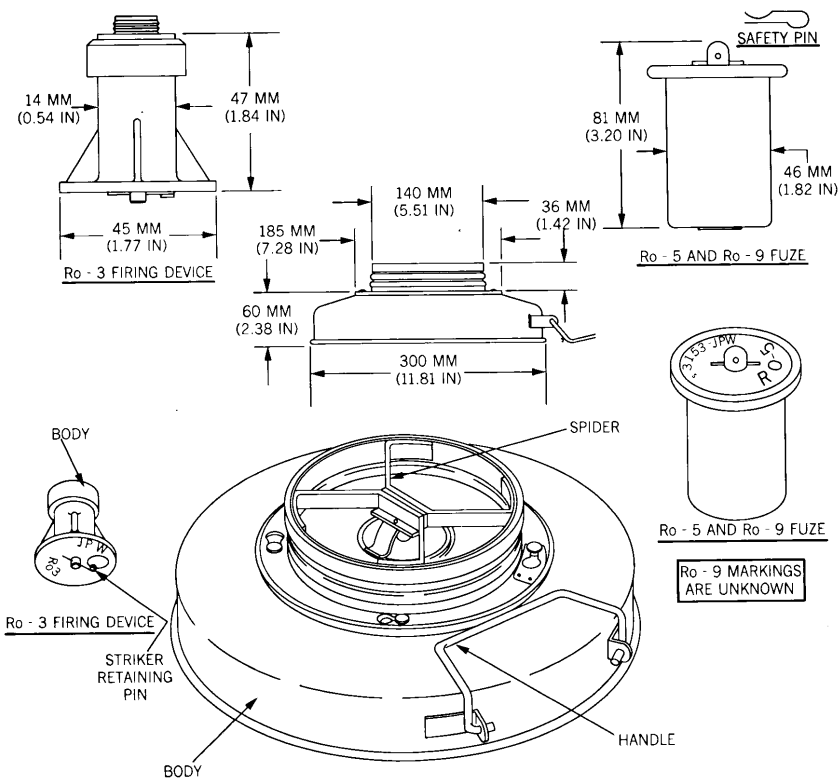


FIGURE 1



PTMI-K



TM-62



أكتشاف الغام صنع محلي في الحرب الاخيرة منطقة الملاحيط و حرف سفيان







أكتشاف الغام جديدة





القنابل اليدوية الدفاعية VRJD-42









7 11 2010